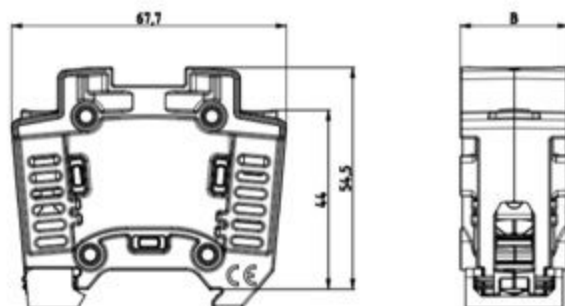


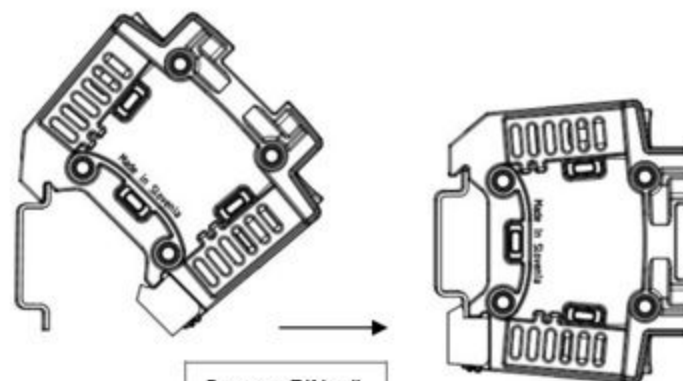
PFB D01 D02

Dimensions [mm]

Installation



Type	1p	1p LED	3p	3p LED
B [mm]	26,6	26,6	78	78

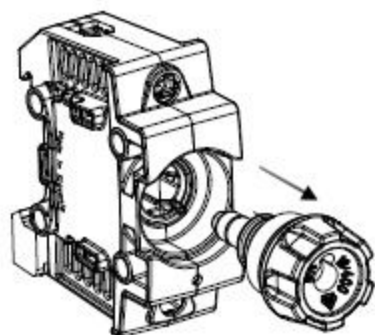


Snap on DIN rail

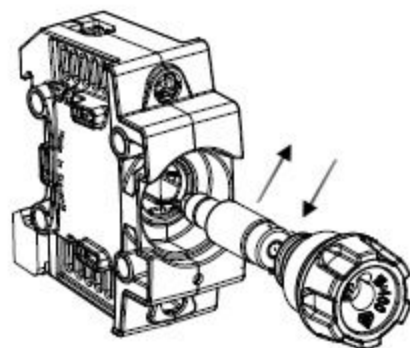
CAUTION!
Installation by electricians only!

Fuse link replacement

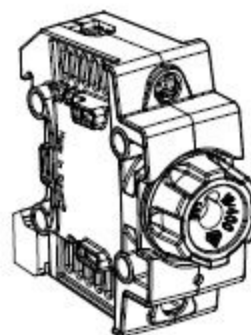
Disassembly



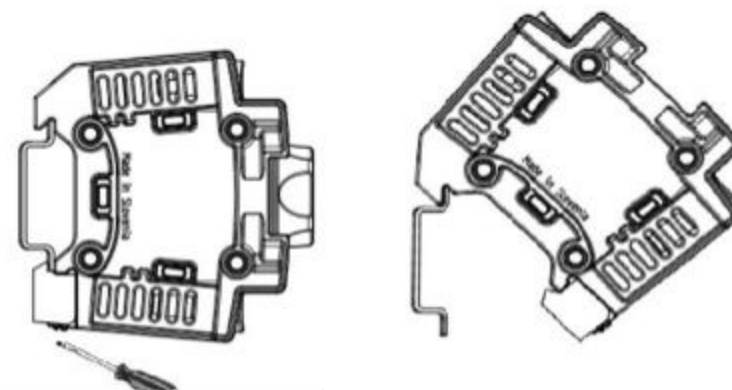
Unscrew the cap



Replace the fuse link



Screw the cap back



Using a screwdriver pull down on the plastic snap-on unit