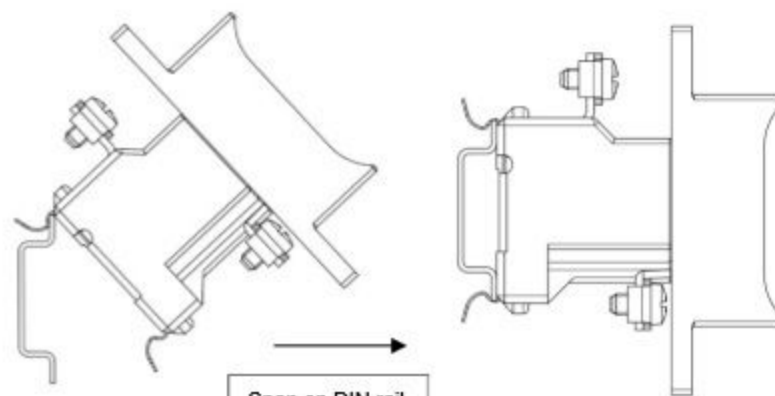
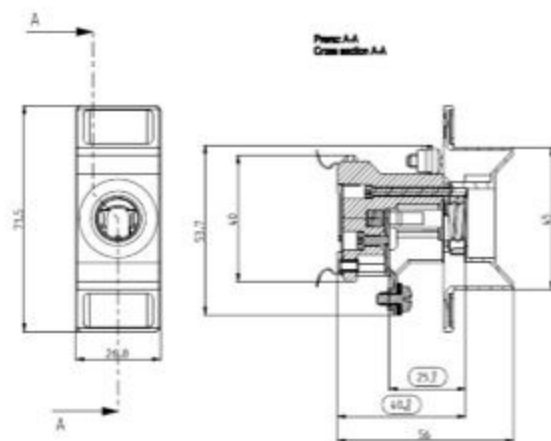


### Ceramic fuse base D01 D02

### Dimensions [mm]

### Installation



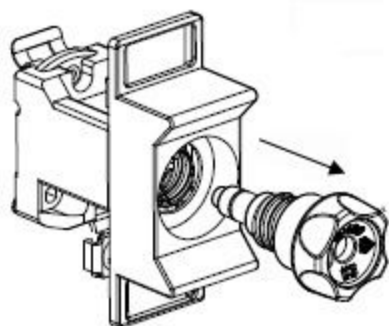
Snap on DIN rail

**CAUTION!**  
Installation by electricians only!

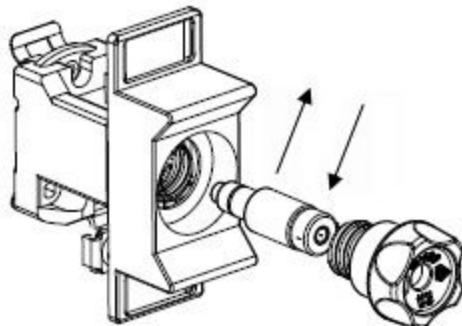
Type	D01 1p	D01 3p	D02 1p	D02 3p
B [mm]	26,8	80,4	26,8	80,4

### Fuse link replacement

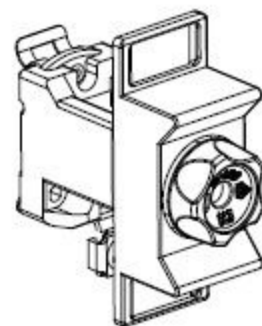
### Disassembly



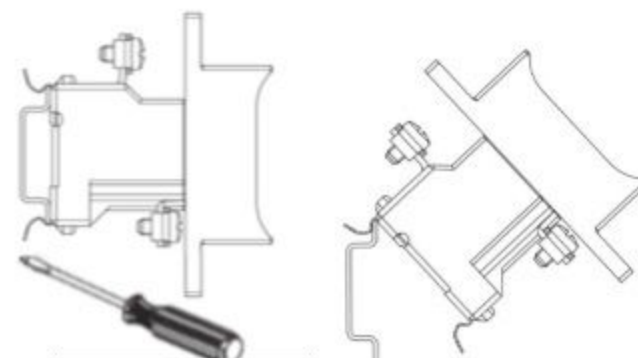
Unscrew the fuse carrier



Replace the fuse link



Screw back the fuse carrier



Using a screwdriver pull down on the metal snap-on unit